

## IMPORTANT SAFETY PRECAUTIONS

**Please read all the following information before installing product:**

- Installation and assembly of the unit must be done by a qualified technician
- Ensure that the floor/wall structure is able to withstand the weight of the cabinet while fully loaded
- Ensure unit is level and securely fastened at anchor point locations
- Ensure unit is fastened before being loaded with equipment
- When possible, evenly distribute the load within the unit
- This unit is suitable for mounting on concrete or other noncombustible surfaces only
- To reduce risk of personal injury and product damage, always ensure a sufficient amount of personnel are present when loading, unloading, and moving the enclosure system
- Investigation of the enclosure DOES NOT include any equipment or material therein
- OPTIONAL: If enclosure is to be contained, it is to be installed only in a Restricted Access Location

Loading Rack System

**Note:** When loading equipment into the unit, ensure weight is distributed so that heavier loads are placed in first, and loaded towards the bottom of the rack to avoid unstable conditions.

Note: Maximum Weight Capacity – 3000lbs

### GROUNDING AND BONDING INSTRUCTIONS

1. Optional grounding kit (RFM-GRD KIT) includes:
  - 4 x 10 gauge bonding wire with ¼" ring terminals
  - 4 x 10-32 Keps nut
  - 4 x ¼-20 Keps nut
  - 4 x 10-32 Tooth Lock Washer
2. The included bonding wire is used to attach the side panels and doors to a PET (protective earth terminal). There are 2 PET terminals located in the base (1/4-20 stud) and 2 PET terminals located in the top (10-32 stud). Ensure the PET terminals of the cabinet are properly grounded first using its own nut before any other bonding connections are made.

**Note:** All bonding connections must adhere to current National electrical codes.

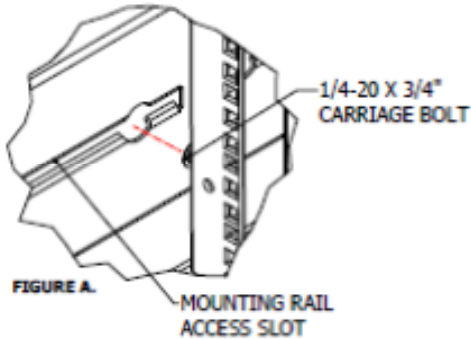
**R.F.MOTE**

214 Newkirk Rd. Richmond Hill ON L4C 3G7

905-884-5250

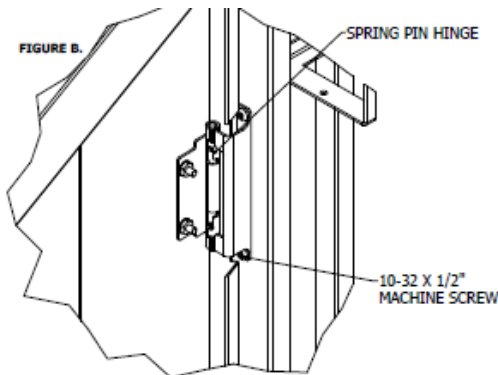
[www.rfmote.com](http://www.rfmote.com)

### Mounting Angle Installation



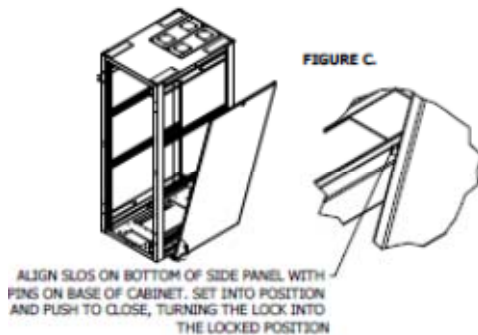
- Install supplied 1/4-20 hardware into the mounting rail (2 locations)
- Align the carriage bolt heads with the mounting rail access slot as shown in figure A.
- Once all carriage bolts have been fitted into the mounting rail, slide the mounting rail to the desired location.
- Tighten all hardware and ensure the mounting rail is straight and level.
- **CAUTION: DO NOT OVERTIGHTEN HARDWARE.**

### Door Installation



- If door hinges are not installed, use the supplied 10-32 hardware to install the spring pin hinge on the door and post as shown in figure B.
- Once hinges have been installed, pull the spring pin down and rotate into the locked position on both the top and bottom hinge of the door
- Align the door hinge into the slotted opening of the post hinge.
- Once aligned, rotate the pins to the unlocked position and ensure they are correctly located into the slots.

### Side Panel Installation



- Locate the alignment pins on the base of the cabinet and the slots located at the bottom of the side panel
- Line up the slots with the alignment tabs
- Push side panel to closed position and turn the keyed lock to the locked position at the top of the side panel

**R.F.MOTE**

214 Newkirk Rd. Richmond Hill ON L4C 3G7  
905-884-5250  
www.rfmote.com