

## IMPORTANT SAFETY PRECAUTIONS

**Please read all the following information before installing product:**

- Installation and assembly of the unit must be done by a qualified technician
- Ensure that the floor/wall structure is able to withstand the weight of the cabinet while fully loaded
- Ensure unit is level and securely fastened at anchor point locations
- Ensure unit is fastened before being loaded with equipment
- When possible, evenly distribute the load within the unit
- This unit is suitable for mounting on concrete or other noncombustible surfaces only
- To reduce risk of personal injury and product damage, always ensure a sufficient amount of personnel are present when loading, unloading, and moving the enclosure system
- Investigation of the enclosure DOES NOT include any equipment or material therein
- OPTIONAL: If enclosure is to be contained, it is to be installed only in a Restricted Access Location

### Loading Rack System

**Note:** When loading equipment into the unit, ensure weight is distributed so that heavier loads are placed in first, and loaded towards the bottom of the rack to avoid unstable conditions.

Note: Maximum Weight Capacity – 3000lbs

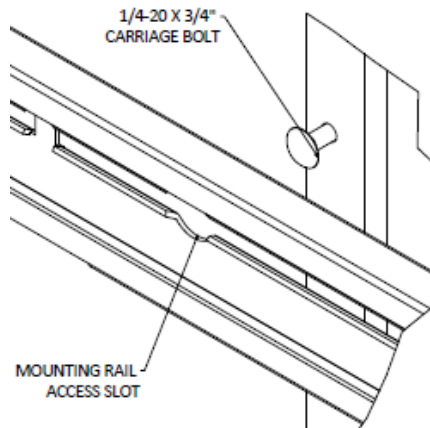
### GROUNDING AND BONDING INSTRUCTIONS

1. Optional grounding kit (RFM-GRD KIT) includes:
  - 4 x 10 gauge bonding wire with ¼" ring terminals
  - 4 x 10-32 Keps nut
  - 4 x ¼-20 Keps nut
  - 4 x 10-32 Tooth Lock Washer
2. The included bonding wire is used to attach the side panels and doors to a PET (protective earth terminal). There are 2 PET terminals located in the base (1/4-20 stud) and 2 PET terminals located in the top (10-32 stud). Ensure the PET terminals of the cabinet are properly grounded first using its own nut before any other bonding connections are made.

**Note:** All bonding connections must adhere to current National electrical codes.

**R.F.MOTE**

214 Newkirk Rd. Richmond Hill ON L4C 3G7  
905-884-5250  
www.rfmote.com



### Mounting Angle Installation

- Install supplied 1/4-20 hardware into the mounting rail (do not tighten nuts).
- Align the carriage bolt heads with the mounting rail access slot as shown in figure A.
- Once all carriage bolts have been fitted into the mounting rail, slide the mounting angle to the desired position.
- Tighten all hardware and ensure the mounting angle is straight and level.
- **CAUTION: DO NOT OVERTIGHTEN HARDWARE.**

Figure A.

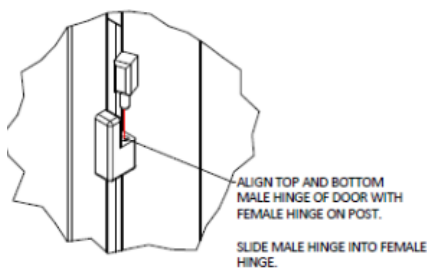


Figure B.

### Door Installation

- If door hinges are not installed on the door, use the supplied 10-32 x 3/8" screws to install the male hinge to the door as per the orientation in figure D.
- After hinges have been installed, align both the top and bottom male hinges on the door, with the female hinges on the post of the cabinet and drop the door into position.

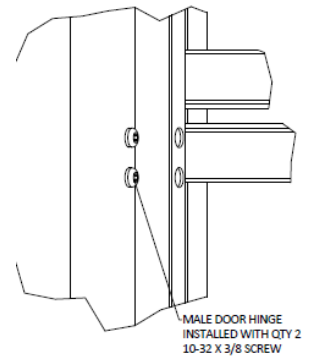
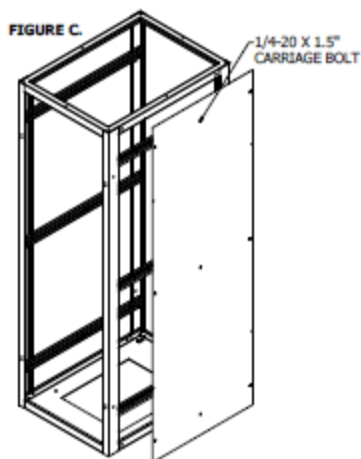


Figure D.



### Divider Panel Installation

- Place divider panel onto the bottom lip of the base of the cabinet and ensure the holes line up with the mounting rail slots
- Using (3x) 1/4-20 x 1.5" carriage bolts fasten the divider panel to the cabinet.
- Ensure all hardware is securely fastened and tight.

**R.F.MOTE**

214 Newkirk Rd. Richmond Hill ON L4C 3G7  
905-884-5250  
www.rfmote.com