

## RFM-CC-CSD Series Stand Alone Sliding Cage Doors & RFM-CC-CHD Series Single Hinged Cage Doors

R.F.Mote introduces Cage Doors - for limited space installations. RFM-CC-CSD Series Sliding Cage Doors & RFM-CC-CHD Single Hinged Cage Doors attach directly to the cabinet(s) and provides an additional layer of security while the slim design maintains a minimal addition to existing cabinet footprint.



### RFM-CC-CSD Series Sliding Cage Doors

#### Features and Highlights

- Stand Alone Unit mounts to Cabinet tops and room floor
- Slim design
- Panels perforated 3/8" (9.525 mm) square
- Extends overall cabinet footprint depth by 7.0" (177.8 mm)
- Sliding doors available in dual and triple versions
- Multiple locking options - Key Lock, Padlock Hasp, Combination Lock, Electronic Lock
- Available in widths and heights to suit any R.F.Mote Cabinet
- Customizable solutions for 3rd party cabinets
- Heavy gauge steel construction
- Durable textured black powder coat finish
- Custom colours also available (e.g. RAL7035)

Scan QR Code



for more info!



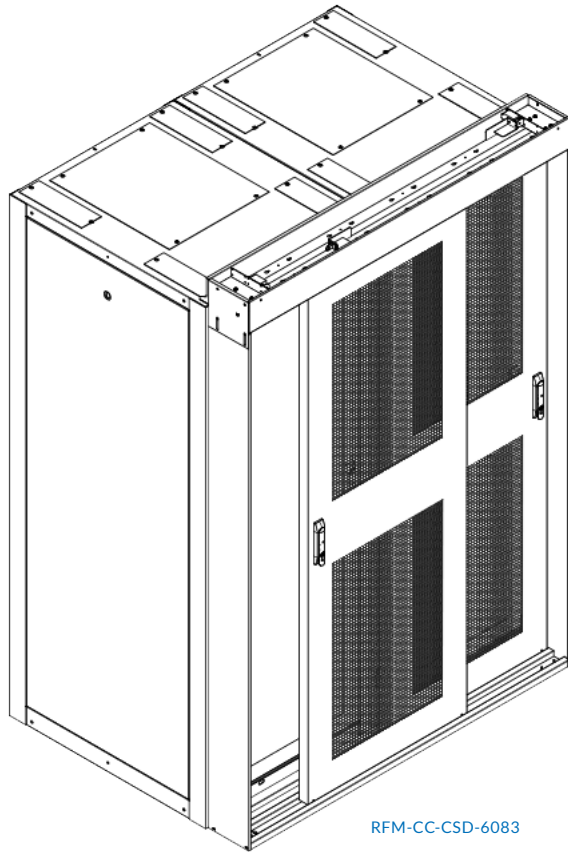
### RFM-CC-CHD Series Single Hinged Cage Doors

#### Features and Highlights

- Stand Alone Unit mounts to Cabinet tops and room floor
- Slim design
- Panels perforated 3/8" (9.525 mm) square
- Extends overall cabinet footprint depth by 2.50" (63.5 mm)
- Field reversible, Swing\* doors
- Hinged doors available as single stand alone unit.
- For multiple cabinet installations, Individual units can be ganged together
- Multiple locking options - Key Lock, Padlock Hasp, Combination Lock, Electronic Lock
- Available in widths and heights to suit any R.F.Mote Cabinet
- Customizable solutions for 3rd party cabinets
- Heavy gauge steel construction
- Durable textured black powder coat finish
- Custom colours also available (e.g. RAL7035)

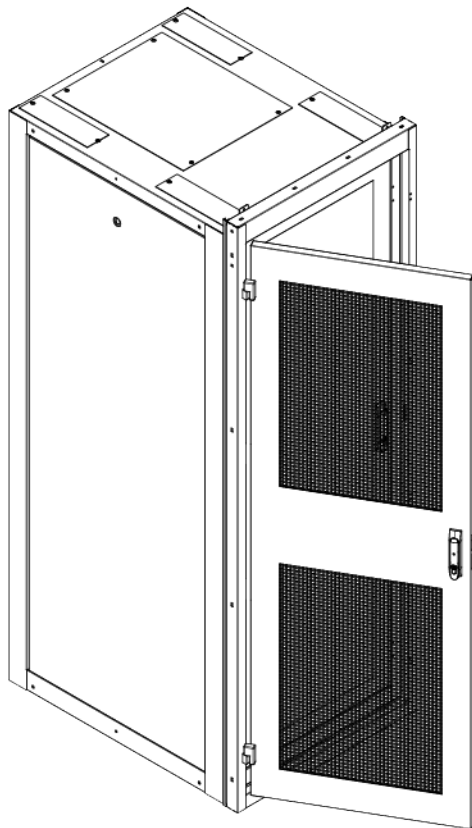
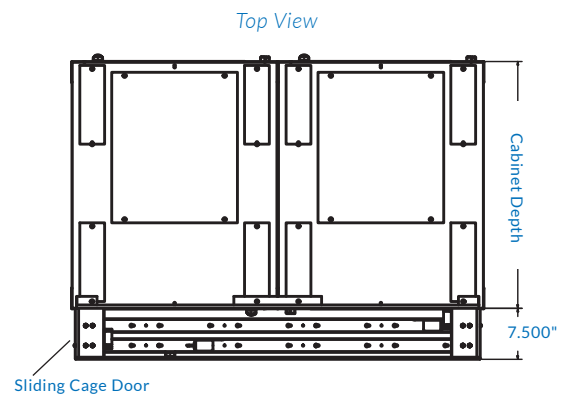
\* Right Hand Hinge Kit may be required

## RFM-CC-CSD Series Stand Alone Sliding Cage Doors & RFM-CC-CHD Series Single Hinged Cage Doors



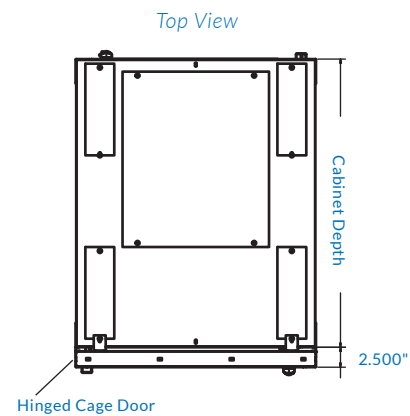
RFM-CC-CSD Series: Sliding Cage Door

| Part number     | Description                                     |
|-----------------|---|
| RFM-CC-CSD-6083 | 2 Sliding Doors, Fits 2x 83"Hx30"W RFM Cabinets |
| RFM-CC-CSD-4883 | 2 Sliding Doors, Fits 2x 83"Hx24"W RFM Cabinets |
| RFM-CC-CSD-6090 | 2 Sliding Doors, Fits 2x 90"Hx30"W RFM Cabinets |
| RFM-CC-CSD-4890 | 2 Sliding Doors, Fits 2x 90"Hx24"W RFM Cabinets |
| RFM-CC-CSD-9083 | 3 Sliding Doors, Fits 3x 83"Hx30"W RFM Cabinets |
| RFM-CC-CSD-7283 | 3 Sliding Doors, Fits 3x 83"Hx24"W RFM Cabinets |
| RFM-CC-CSD-9090 | 3 Sliding Doors, Fits 3x 90"Hx30"W RFM Cabinets |
| RFM-CC-CSD-7290 | 3 Sliding Doors, Fits 3x 90"Hx24"W RFM Cabinets |



RFM-CC-CHD Series : Hinged Cage Door

| Part number     | Description                                  |
|-----------------|--|
| RFM-CC-CHD-3083 | 1 Hinged Door, Fits 1x 83"Hx30"W RFM Cabinet |
| RFM-CC-CHD-2483 | 1 Hinged Door, Fits 1x 83"Hx24"W RFM Cabinet |
| RFM-CC-CHD-3090 | 1 Hinged Door, Fits 1x 90"Hx30"W RFM Cabinet |
| RFM-CC-CHD-2490 | 1 Hinged Door, Fits 1x 90"Hx24"W RFM Cabinet |



### Optional Locks and Right-Hand Hinge Kit

| Part number   | Description  |
|---------------|--|
| RFM-COMBOLOCK | Combination locking swing handle                   |
| RFM-E-LOCK-SH | Electronic locking swing handle (for Hinged Door)  |
| RFM-E-LOCK-SD | Electronic locking swing handle (for Sliding Door) |
| RFM-RH-HINGE  | Right hand hinge set (for Hinged Door assembly)    |