

R.F. MOTE

A division of Chatsworth Products

Your Technology Platform, Protected

R.F. Mote Swing-Out Wall-Mount Cabinet offers a reliable and budget-friendly solution for supporting rack-mount equipment in various IT environments, including computer equipment rooms and other technology-driven facilities.



Advantages:

Easy Access to Equipment

Three-part, swing-out design enables easy access to the front and rear of installed equipment.

High Load Rating

300 lb. (136 kg)
Load rating supports heavier equipment.

KEY FEATURES

- Three-part swing-out design allows access and service to the front and rear of installed equipment.
- Body includes four cutouts. Two are 2" and two are 4.75". Rear extender includes one cutout that is 10" x 2 5/8". Cutouts are covered with removable steel plates..
- Cabinet body includes one pair of adjustable depth 19" EIA threaded equipment mounting rails
- Hinge design allows the installer to remove the rear panel for easier installation on the wall
- Rear extender panel is 6" deep to provide ample room for additional cabling and equipment management
- Can be ordered without the rear extender panel for a more economical deployment
- Cabinet solution adaptable to security, network and mixed-use applications
- Supports up to 136 kg (300 lb) of equipment
- Standard configuration includes Acrylite front door
- Thermal, power and cable management accessories available

Availability: Canada

R.F. Mote, Richmond Hill,
Ontario, Canada
1-905-884-5250
info@rfmote.com

SPECIFICATIONS

Description	Fully enclosed wall-mount equipment cabinet.
Use	For indoor use only, in environmentally controlled areas; do not use in outdoor environments.
Available Sizes	<ul style="list-style-type: none"> • Heights: 25" (635mm), 36" (910mm) and 48" (1220mm) • Widths: 24" (610mm) and 30" (762mm), both are 19" EIA rack-mount • Depths: 20" (508mm) without rear extender, 26" (660mm) with rear extender
Usable Interior Space	<ul style="list-style-type: none"> • Heights: 12U, 18U, 25U • Widths: 19" EIA rack-mount • Depths: refer to dimensional drawing on page 2
Cable Access	<ul style="list-style-type: none"> • (1) 10" x 2 5/8" cutout in rear extender section • (2) 2" round and (2) 4.75" round cutouts in center section
Equipment Support	<ul style="list-style-type: none"> • One pair of equipment mounting rails in the cabinet (tapped 10/32) • Adjustable depth; rails bolt into cross members • Rack-mount unit (RMU) spacing, clearly marked • Universal, 19"W, 15.9 mm – 15.9 mm – 12.7 mm (5/8" - 5/8" - 1/2") vertical hole spacing complies with EIA/ECA-310-E • Solid top & bottom panels with four cover plates for cable access or fans • Front door is smoked acrylite (optional perforated or solid door)
Load Capacity	136 kg (300 lb.)
Certifications	EIA-310 Compliant
Material	<ul style="list-style-type: none"> • Sheet steel cabinet body, rear panel and door • Door is sheet steel frame with acrylic viewing panel • Equipment mounting rails are sheet steel
Construction	Welded
Finish	Powder coat paint, black



rfmote.com

R.F. Mote Swing-out Wall-Mount Cabinets are designed with functionality in mind, offering top-tier support and storage for ICT, AV and security equipment. These cabinets provide easy access to both the front and rear, making them perfect for telecommunications rooms. With a modern, sleek design and a variety of options, these cabinets are ideal for office and retail spaces, wiring closets and telecommunications rooms.

The swing-out, three-part design keeps equipment secure while ensuring easy access for maintenance. The cabinet is also customizable for right or left-side swinging. The cabinet body offers outstanding strength and durability, with a 300 lb. (136 kg) load rating that ensures reliable support for heavier equipment.

The R.F. Mote Wall-Mount Cabinet is ideal for supporting growing demands, including Power over Ethernet (PoE) deployments, faster wireless and network infrastructure, audio and video equipment, security and monitoring systems, and smart building solutions. The top panels are equipped with cable passthrough ports and openings for fans for cooling.

Create a cabinet solution that fits your needs by selecting specific thermal, cable and power management accessories. Contact your local CPI Regional Sales Manager or R.F. Mote Technical Support at: info@rfmote.com or 1-905-884-5250, for complete product details.

ORDERING INFORMATION

Swing out wall mount cabinet, includes acrylic front door, body, rear extension and one pair of mounting rails. Colour is Black or White.

Part Number	Width	Height		Depth	Door
		RMU	In.		
RFM-2425-WM-26X-C	24"	12U	25"	26"	Acrylic
RFM-2436-WM-26X-C	24"	18U	36"	26"	Acrylic
RFM-2448-WM-26X-C	24"	25U	48"	26"	Acrylic
RFM-3025-WM-26X-C	30"	12U	25"	26"	Acrylic
RFM-3036-WM-26X-C	30"	18U	36"	26"	Acrylic
RFM-3048-WM-26X-C	30"	25U	48"	26"	Acrylic

C=Colour; B=Black, W=White

Swing out wall mount cabinet, includes acrylic front door, body, and one pair of mounting rails (no rear extension). Colour is Black or White.

Part Number	Width	Height		Depth	Door
		RMU	In.		
RFM-2425-WM-20-C	24"	12U	25"	20"	Acrylic
RFM-2436-WM-20-C	24"	18U	36"	20"	Acrylic
RFM-2448-WM-20-C	24"	25U	48"	20"	Acrylic
RFM-3025-WM-20-C	30"	12U	25"	20"	Acrylic
RFM-3036-WM-20-C	30"	18U	36"	20"	Acrylic
RFM-3048-WM-20-C	30"	25U	48"	20"	Acrylic

C=Colour; B=Black, W=White

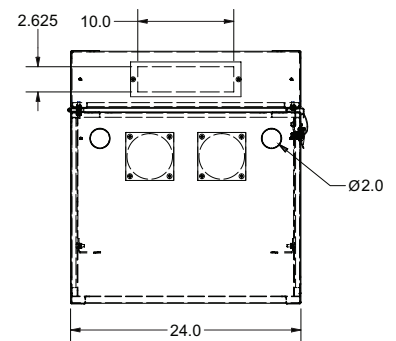
Rear extension only, for swing out wall mount cabinets. Colour is Black or White.

Part Number	Width	Height		Depth	Door
		RMU	In.		
RFM-2425-WM-6X-C	24"	12U	25"	6"	Acrylic
RFM-2436-WM-6X-C	24"	18U	36"	6"	Acrylic
RFM-2448-WM-6X-C	24"	25U	48"	6"	Acrylic
RFM-3025-WM-6X-C	30"	12U	25"	6"	Acrylic
RFM-3036-WM-6X-C	30"	18U	36"	6"	Acrylic
RFM-3048-WM-6X-C	30"	25U	48"	6"	Acrylic

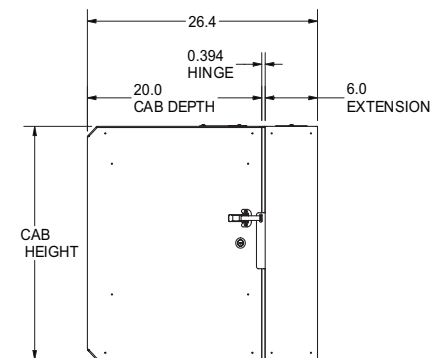
C=Colour; B=Black, W=White

DIMENSIONAL DRAWINGS

Top View



Side View



ACCESSORIES

**Equipment Mounting Rail Kit**

- Use with equipment that needs front and rear support
- Sold in pairs
- Tapped 10-32

Part Number	Cabinet Width	Height (U)	Colour
RFM-2425-WM-MA	24"	12U	Black
RFM-2436-WM-MA	24"	18U	Black
RFM-2448-WM-MA	24"	25U	Black
RFM-3025-WM-MA	30"	12U	Black
RFM-3036-WM-MA	30"	18U	Black
RFM-3048-WM-MA	30"	25U	Black

**Horizontal Cable Managers**

- Provides neat cable routing for premise cables
- Finger style design
- Available in 1U, 2U or 3U heights

Part Number	Depth	RMU (U)	Colour
RFM2-191-HCM-F	4.380"	1U	Black
RFM2-192-HCM-F	4.380"	2U	Black
RFM2-193-HCM-F	4.380"	3U	Black

**Exhaust Fans**

- Removes warm air from cabinet interior
- Assembly includes 1 or 2 fans
- Airflow: 110 CFM or 220 CFM
- 6'L (1.8 m) NEMA 5-15P Power Cord

Part Number	CFM	Plug	Qty
RFM-1-FAN	110 CFM	5-15P	1
RFM-2-FAN	220 CFM	5-15P	2

**Vertical Finger Style Cable Managers**

- Provides neat cable routing for premise cables
- Attaches to mounting angle with included hardware
- Adjustable front-to-rear

Part Number	Cabinet Width	Height (U)	Colour
RFM-25-VCM-F	24"	12U	Black
RFM-36-VCM-F	24"	18U	Black
RFM-48-VCM-F	24"	25U	Black
RFM-325-VCM-F	30"	12U	Black
RFM-336-VCM-F	30"	18U	Black
RFM-348-VCM-F	30"	25U	Black

**Rack Mount Shelves (Front Mount)**

- 1U and 2U Models available
- 1U is 9" deep, 2U is 15"D
- Supports up to 50 lb. (22.7 kg) or 100 lb. (45.5 kg) of equipment

Part Number	Depth	RMU (U)	Colour
RFM-1909-RFS-1U	9	1U	Black
RFM-1915-RFS	15	2U	Black

**Power Bars, Horizontal**

- Straight plug style (5-15P)
- 115 VAC; 15 Amp
- 15'L (4.75 m) power cord and circuit breaker

Part Number	Amps	Receptacles	Plug
RFM-19-PBH-8	15 Amps	(8) 5-15R	5-15P

rfmote.com

info@rfmote.com

1-905-884-5250

R.F. MOTE

A division of Chatsworth Products

While every effort has been made to ensure the accuracy of all information, CPI does not accept liability for any errors or omissions and reserves the right to change information and descriptions of listed services and products.

©2025 Chatsworth Products, Inc. All rights reserved.
Rev.1 12/25 MKT-CPI-833-en-CA